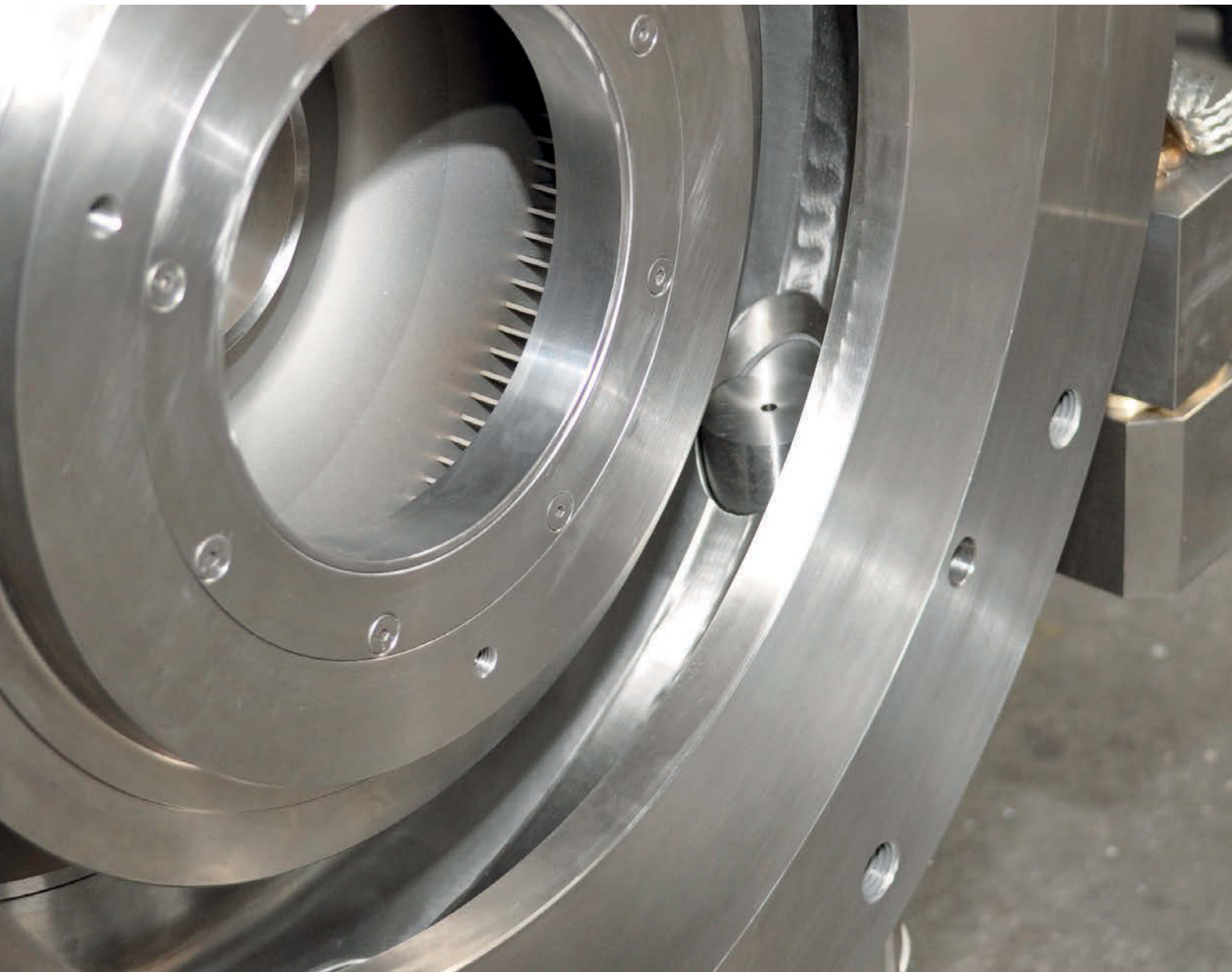


**NETZSCH**



## NETZSCH High Density Bed Jet Mill *CONJET*®

Spiral Jet Mill with Integrated Classifier

Business Unit  
GRINDING & DISPERSING

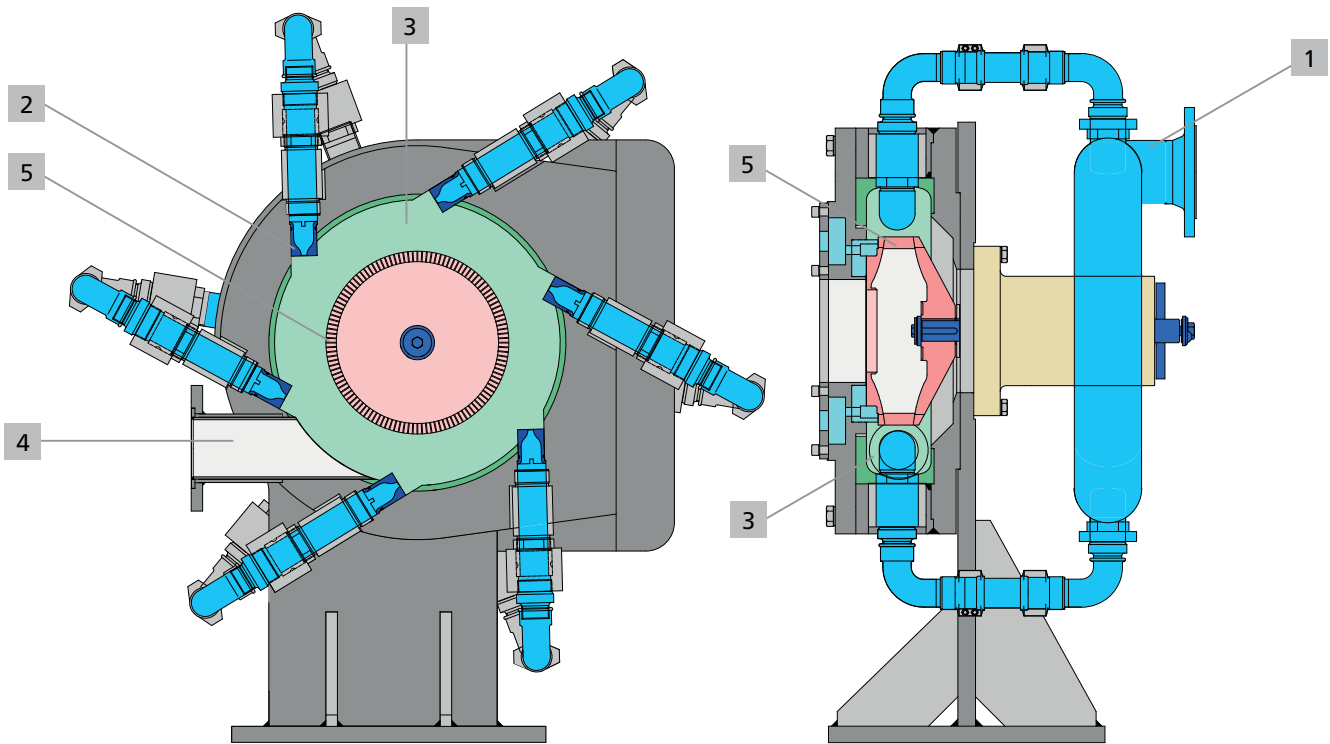
# NETZSCH *CONJET*®

## THE BEST SPIRAL JET MILL!

The newly developed *CONJET*® High Density Bed Jet Mill combines a spiral jet mill with a patented dynamic air classifier which enables you to achieve high degrees of fineness, independent of the load on the gas flow!



High Density Bed Jet Mill *CONJET*® 71



## Operating Principle

The grinding gas is supplied through the annular grinding gas distributor (1). The gas enters the grinding chamber (3) through the nozzles (2), expands and forms jets of high velocity. The material to be ground enters the grinding chamber (3) by means of an injector or gravimetrically via a

valve tangentially through a short feed pipe (4), is picked up by the gas jets, accelerated and comminuted by particle-particle impacts. The expanded gas transports the ground particles to the classifier wheel (5), which is driven via a speed adjustable motor.

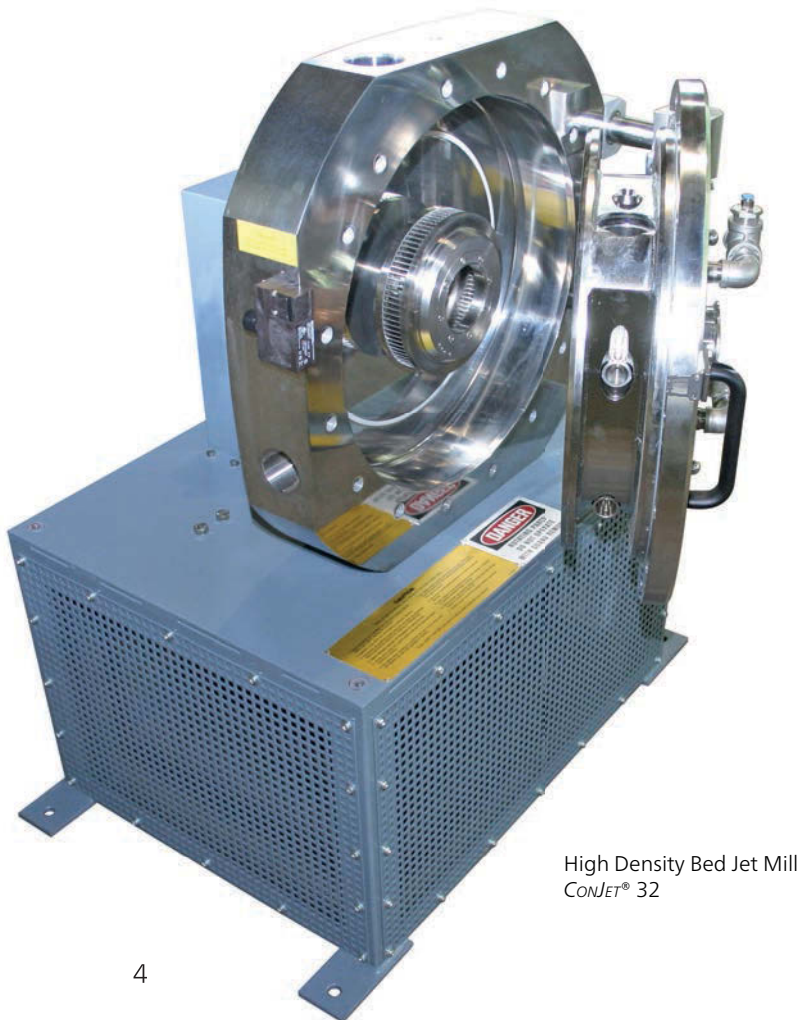
The fine material corresponding to the set parameters is discharged from the mill with the expanded gas. Oversized particles return to the jet area for regrinding. The circular motion of the material in the grinding chamber assists the loading of the jets with particles.

# NETZSCH CONJET®

## INNOVATIVE & EFFICIENT

The further development of a spiral jet mill means that the influence of the product load on the fineness of the final product is now a negligible parameter! As the milling process of the CONJET® is independent of the fineness, the feeding of larger amounts of product is possible, markedly increasing the efficiency and economy of the mill. The heart of this mill is our proven high-precision classifier wheel, for exact limitation of the particle range in the milled product, free of oversized particles. A cohesively rotating immersion tube and optimum design produce the highest degrees of fineness. The desired fineness is preset by adjusting the rotational speed of the classifier wheel. Fine product particles, whose size correspond to the set parameters, are removed from the machine by the classifier wheel; particles that are too large are rejected by the classifier wheel and returned to the product-laden gas to be remilled.

The choice of material is made to suit the requirements of the product to be milled. Mild steel as well as rust- and acid-proof stainless steel are our standards. Furthermore, wear-protected executions can also be delivered for the processing of very hard or abrasive materials. These ensure a low-contamination processing of the product. For example, the nozzle ring or the fines outlet pipe can be lined with ceramic material. The classifier wheel can be delivered in a hard-metal execution as well as a ceramic execution for extremely high requirements.



High Density Bed Jet Mill  
CONJET® 32

### ATEX conformity

EG-TYPE INSPECTION DOCUMENT  
acc. to directive 94/9/EG, annex III



II 1 / 2 D c T 100°C  
IBExU07ATEX1154X

The CONJET® High Density Bed Jet Mill can be designed in various executions to particularly suit the product and requirements. For the grinding of dust-explosive hazardous products, machine- and plant executions in pressure-shock resistant design (up to 10 bar (g)) or for gas-tight inert gas operation are available.

## Ideal for Pharmaceutical Applications

The High Density Bed Jet Mill *CONJET*<sup>®</sup> is absolutely predestined for applications in the pharmaceutical industry. A compact, GMP-compliant construction enables a rapid and complete cleaning of the machine when products or charges are being changed. This feature and a practically residue-free product-grinding make the *CONJET*<sup>®</sup> the ideal mill for pharmaceutical products.

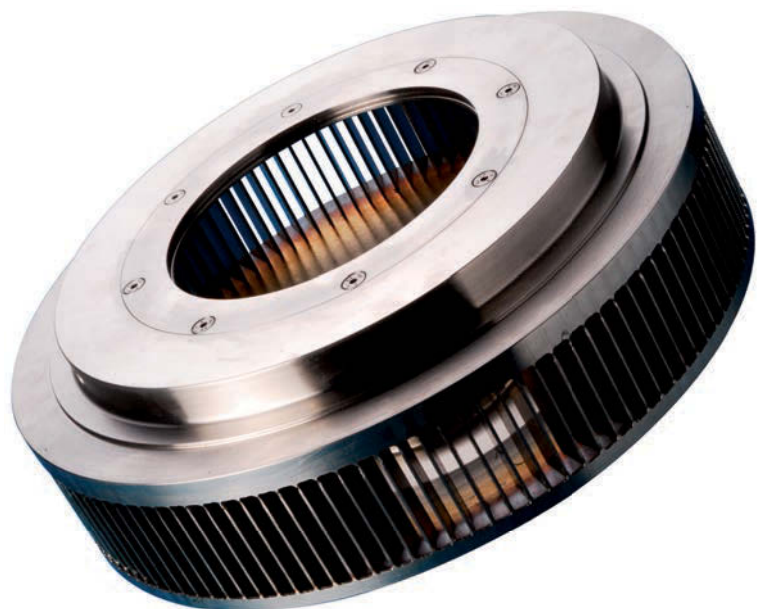
The very high quality requirements of the final products are met thanks to reproducible grinding conditions independent of the product load. With the High Density Bed Jet Mill, active ingredients and excipients as well as finished active ingredient formulations can be ground down to exactly defined, high finenesses.

The High Density Bed Jet Mill *CONJET*<sup>®</sup> is optionally available in a Pharma design to meet the high demands of these industries.

The types of stainless steel used, 1.4571 (316 Ti), 1.4435 and 1.4404 (316 L), are pretreated by grinding and finished with an electrolytic polishing to give the necessary surface finish with an average peak-to-valley height of  $R_a < 0.8 \mu\text{m}$  or even higher if required.

## Your Advantage is our Focus

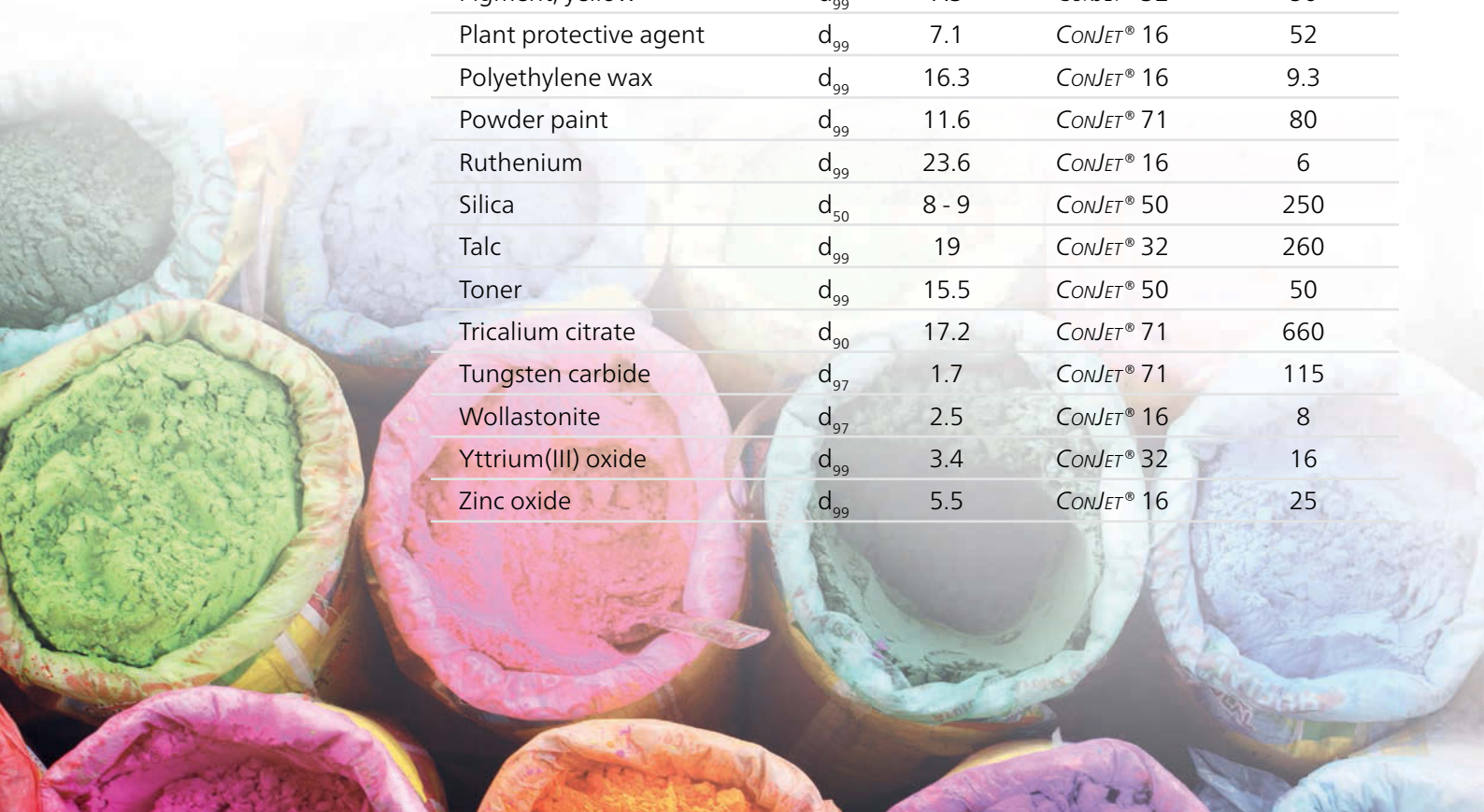
- Steep particle distribution
- Adjustable fineness
- High efficiency
- Easy cleaning
- Easy maintenance
- Compact design



Classifier wheel *ConVor*<sup>®</sup>

# Applications and Technical Data

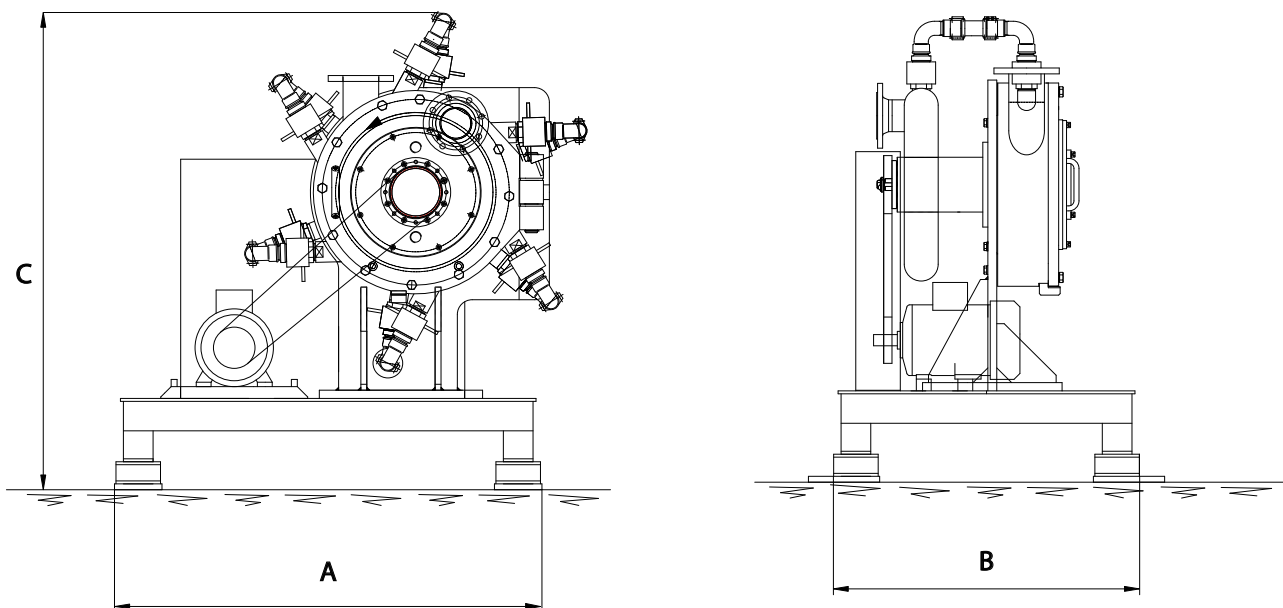
Examples of Products	Fineness [ $\mu\text{m}$ ]	Size	Capacity [ $\text{kg h}^{-1}$ ]
Aluminum oxide	$d_{99}$ 3.7	CONJET® 16	8
Barium titanate	$d_{99}$ 1.7	CONJET® 32	13
Ceramic pigments	$d_{90}$ 2.6	CONJET® 16	23
Chromium carbide	$d_{99}$ 6.0	CONJET® 16	1.5
Cosmetic powder	$d_{97}$ 17.3	CONJET® 16	16
Dyestuffs	$d_{97}$ 6.2	CONJET® 16	23
Graphite (natural)	$d_{90}$ 7.7	CONJET® 32	14
Limestone	$d_{90}$ 7.5	CONJET® 50	120
Lithiumcobaltoxide	$d_{99}$ 17.6	CONJET® 16	20
Luminescent pigment	$d_{99}$ 11	CONJET® 10	11
Magnesium hydroxide	$d_{90}$ 6.3	CONJET® 16	2.5
Magnesium sulfate	$d_{90}$ 5.6	CONJET® 32	66
Metall powder, reduced	$d_{99,9}$ 8	CONJET® 50	57
Milk sugar	$d_{90}$ 35.7	CONJET® 32	102
Pharmaceutical product	$d_{90}$ 10	CONJET® 32	20 - 25
Pigment, mineral	$d_{99}$ 5 - 7	CONJET® 32	16.5 - 50
Pigment, organic	$d_{99}$ 14.3	CONJET® 16	36
Pigment, yellow	$d_{99}$ 7.3	CONJET® 32	56
Plant protective agent	$d_{99}$ 7.1	CONJET® 16	52
Polyethylene wax	$d_{99}$ 16.3	CONJET® 16	9.3
Powder paint	$d_{99}$ 11.6	CONJET® 71	80
Ruthenium	$d_{99}$ 23.6	CONJET® 16	6
Silica	$d_{50}$ 8 - 9	CONJET® 50	250
Talc	$d_{99}$ 19	CONJET® 32	260
Toner	$d_{99}$ 15.5	CONJET® 50	50
Tricalium citrate	$d_{90}$ 17.2	CONJET® 71	660
Tungsten carbide	$d_{97}$ 1.7	CONJET® 71	115
Wollastonite	$d_{97}$ 2.5	CONJET® 16	8
Yttrium(III) oxide	$d_{99}$ 3.4	CONJET® 32	16
Zinc oxide	$d_{99}$ 5.5	CONJET® 16	25



Technical Data		CONJET® 10	CONJET® 16	CONJET® 32	CONJET® 50	CONJET® 71
Capacity factor		-	-	0.35	1	2
Airflow capacity *)	m <sup>3</sup> h <sup>-1</sup>	52	96	330	960	1 920
Number of milling nozzles	pcs.	6	6	6	6	6
Nozzle diameter	mm	1.4	1.9	3.5	6	8.5
Classifier drive capacity	kW	0.55	1.5	3	7.5	15
Speed	min <sup>-1</sup>	18 000	12 000	7 000	5 100	3 600
Fineness d <sub>97</sub> **)	µm	3.5	3.5	3.5	3.5	3.7
Length (A)	mm	400	540	1 030	1 440	2 000
Width (B)	mm	380	500	670	1 030	1 680
Height (C)	mm	330	370	1 260	1 600	2 800
Weight (approx.)	kg	50	70	470	1 200	3 000

\*) based on 8 bar (abs.) and 20 °C

\*\*) based on limestone (density 2.7 kg/l)



## Tests

The CONJET® is available in our laboratory for testing of your products. We would be delighted to reserve a date for you for milling tests and are sure that you will be impressed by this efficient method of air jet milling.

# Business Unit Grinding & Dispersing – The World's Leading Grinding Technology

NETZSCH-Feinmahltechnik GmbH  
Selb, Germany

NETZSCH Lohnmahltechnik GmbH  
Bobingen, Germany

NETZSCH Premier Technologies,  
LLC. Exton PA, USA

NETZSCH Indústria e Comércio de  
Equipamentos de Moagem Ltda.  
Pomerode, Brazil

NETZSCH Technologies India  
Private Ltd.  
Chennai, India

NETZSCH Trockenmahltechnik GmbH  
Hanau, Germany

NETZSCH España, S.A.U.  
Terrassa/Barcelona, Spain

NETZSCH Mastermix Ltd.  
Lichfield, Great Britain

NETZSCH (Shanghai) Machinery  
and Instruments Co., Ltd.  
Shanghai, China

NETZSCH FRÈRES S.A.R.L.  
Arpajon, France

NETZSCH Vakumix GmbH  
Weyhe-Dreye, Germany

AO NETZSCH Tula  
Tula, Russia

NETZSCH Korea Co., Ltd.  
Goyang, Korea

NETZSCH Makine Sanayi ve  
Ticaret Ltd. Sti.  
Izmir, Turkey

ECUTEK S.L.  
Barcelona, Spain

The NETZSCH Group is a mid-sized, family-owned German company engaging in the manufacture of machinery and instrumentation with worldwide production, sales, and service branches.

The three Business Units – Analyzing & Testing, Grinding & Dispersing and Pumps & Systems – provide tailored solutions for highest-level needs. Over 3 400 employees at 210 sales and production centers in 35 countries across the globe guarantee that expert service is never far from our customers.

NETZSCH Trockenmahltechnik GmbH  
Rodenbacher Chaussee 1  
63457 Hanau  
Germany  
Tel.: +49 6181 506 01  
Fax: +49 6181 571 270  
info.ntt@netsch.com

**NETZSCH®**

[www.netsch.com](http://www.netsch.com)